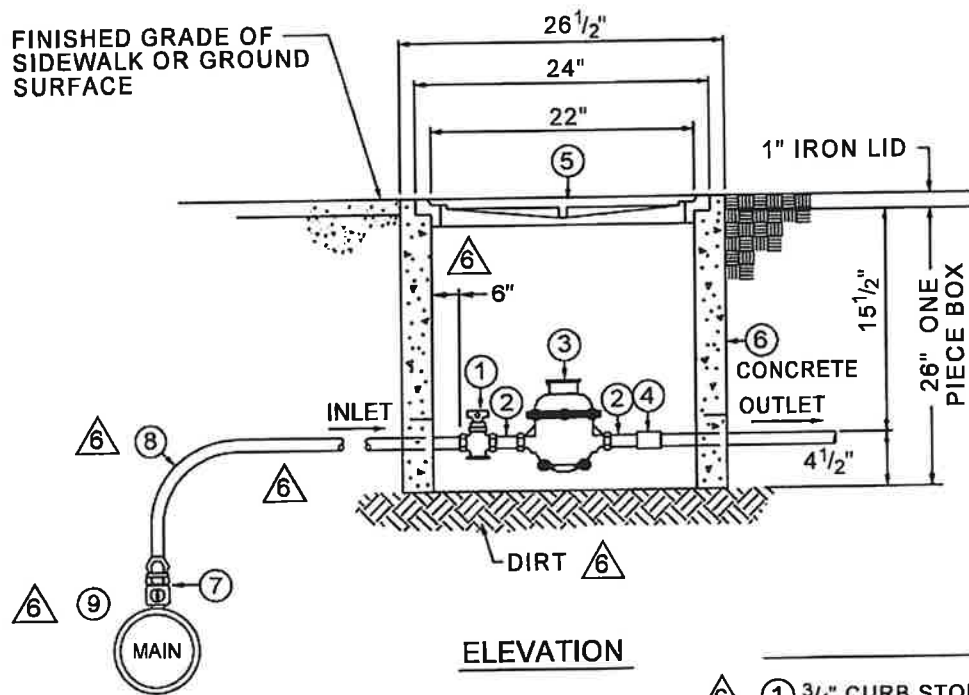
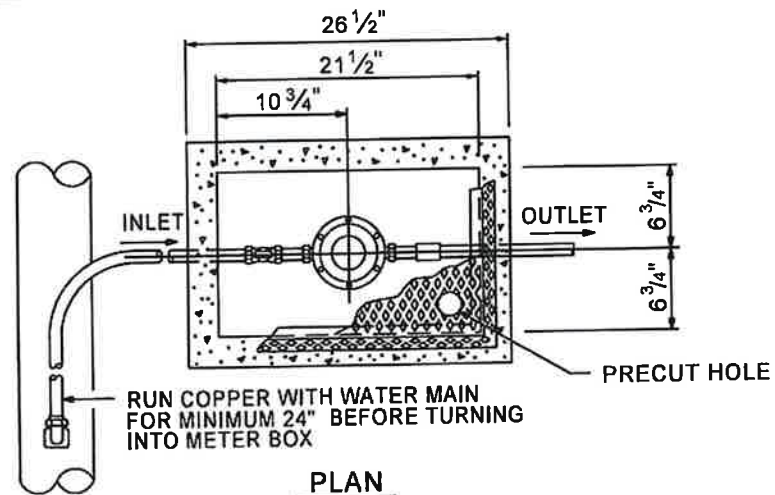


FINISHED GRADE OF
SIDEWALK OR GROUND
SURFACE



ELEVATION



PLAN

NOTES:

1. ALL WORK TO BE INSPECTED BY M.S.U.D. AFTER WORK IS COMPLETE AND BEFORE BACKFILLING. TAPS WILL BE MADE WITHIN TWO WEEKS, WEATHER PERMITTING.
2. ALL WATER METERS SHALL BE PLACED OUTSIDE OF ANY PAVED AREA SUCH AS DRIVEWAYS, ROADS, ETC. METER BOX NEEDS TO BE 1" ABOVE FINISHED GRADE. PLACE METER IN GREEN SPACE.
3. CONNECTIONS:
ALL COPPER CONNECTIONS AND FITTINGS WILL BE COMPRESSION. USE TEFLON TAPE OR JOINT COMPOUND ON ALL THREADED CONNECTIONS.
4. WASHERS WILL BE FIBER.
5. COPPER FROM MAIN TO METER SHALL BE ONE CONTINUOUS PIECE OF K COPPER.
6. ALL BOLTS SHALL BE STAINLESS STEEL.

MATERIAL SCHEDULE

- | | |
|---|--|
| <p>① 3/4" CURB STOP
MUELLER: B-25163-N 3/4"
FORD: FB41-233W-Q-NL 3/4"</p> <p>② 3/4" x 2 1/2" BRASS METER COUPLING (2)</p> <p>③ 5/8" x 3/4" METER NEPTUNE RADIO
READ WITH ANTENNA.</p> <p>④ 3/4" BRASS COUPLING (OUTLET)</p> <p>⑤ C.I. METER BOX FRAME AND COVER
WITH PRECUT HOLE AND CAP
JOHN BOUCHARD #8110 NASHVILLE
STANDARD OR APPROVED EQUAL
WITH HOLE PRECUT INTO BOX AND
PLASTIC CAP ON IT. (SHALL NOT BE
IMPRINTED WITH THE NAME "METRO")</p> <p>⑥ 3/4" METER BOX, ONE PIECE PRE-CAST
CONCRETE.</p> <p>⑦ 3/4" CORPORATION STOP
MUELLER: H-15030-N 3/4"
FORD: F600-3-LN-NL 3/4"
FORD: L04-33-Q-NL 3/4" 90° BEND</p> | <p>⑧ SERVICE MATERIAL (SHEPARD HOOK)
3/4" 'K' TYPE SOFT COPPER TUBING</p> <p>⑨ (TAPPING SADDLE) C-900 MAIN CONNECTIONS
ONLY. SMITH BLAIR #313 DOUBLE STRAP
WITH 3/4" 'CC' THREADS. (FOR P.V.C. ONLY)</p> <p>⑩ ALL BACKFILL SHALL BE #57 STONE.</p> |
|---|--|

**MADISON SUBURBAN
UTILITY DISTRICT**

5/8" - 3/4" METER INSTALLATION

JVE / BWSC

Turner Professional Building
5100 Linbar Drive, Suite 106
Nashville, Tennessee 37211

SCALE: N.T.S.

SHEET NO.

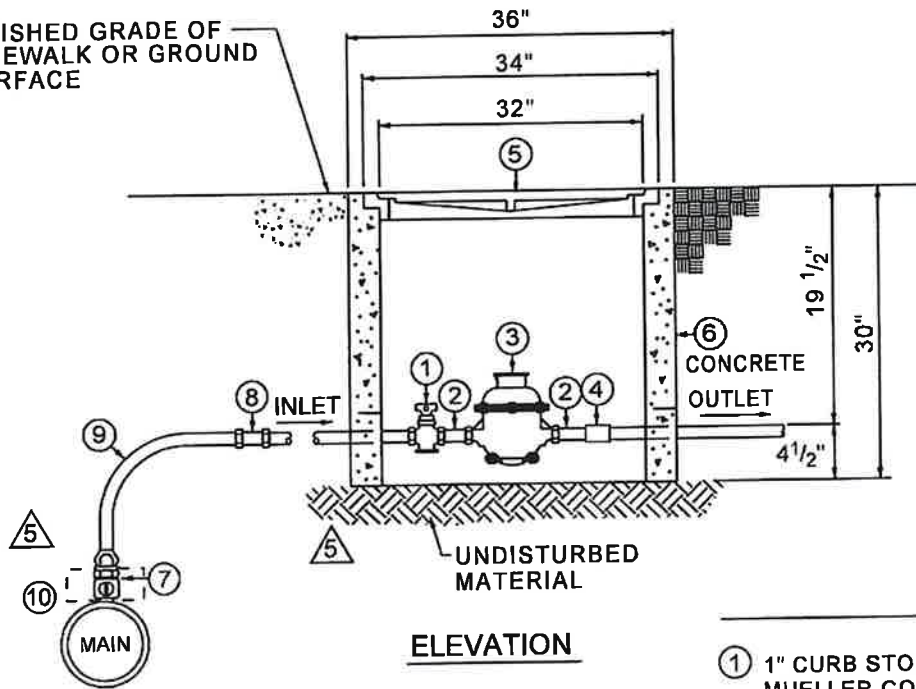
DATE: 12/20/02

1

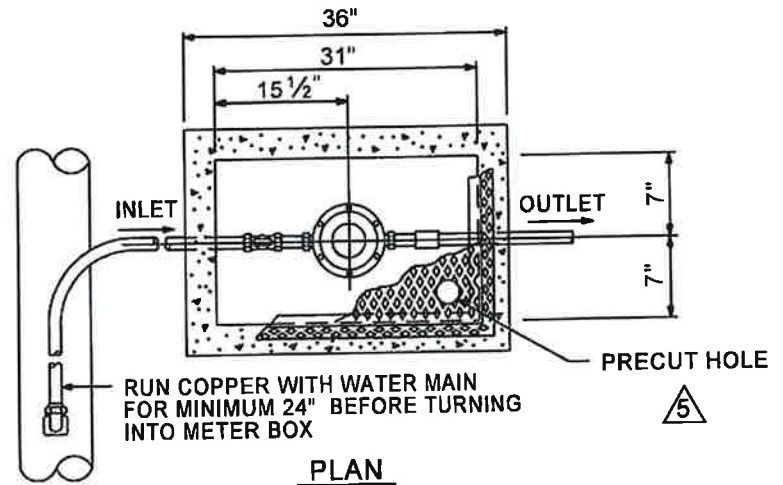
REVISED: 9/1/21 PER M.S.U.D.

M_SHEET_01

FINISHED GRADE OF
SIDEWALK OR GROUND
SURFACE



ELEVATION



PLAN

MATERIAL SCHEDULE

- ① 1" CURB STOP
MUELLER CO. H-15175
OR FORD CAT. No. Z21-444
OR McDONALD 4711
- ② 1" x 2 1/2" BRASS METER COUPLING (2)
- ③ 1" METER NEPTUNE RADIO READ
WITH ANTENNA.
- ④ 1" BRASS COUPLING (OUTLET)
- ⑤ C.I. METER BOX FRAME AND COVER
WITH PRECUT HOLE AND CAP
JOHN BOUCHARD #8120 NASHVILLE
STANDARD OR APPROVED EQUAL
WITH HOLE PRECUT INTO BOX AND
PLASTIC CAP ON IT. (SHALL NOT BE
IMPRINTED WITH THE NAME "METRO")
- ⑥ 1" METER BOX, ONE PIECE PRE-CAST
- ⑦ 1' CORPORATION STOP
MUELLER CO. H-15020
OR McDONALD 4701L WITH
4776 90° BEND
- ⑧ 1" COUPLING, THREE PART UNION FLARE ONLY
COPPER TO COPPER (NEEDED ONLY
TO USE UP ODD LENGTHS OF PIPE OVER
60' OR WHEN SERVICE IS OVER 100' LONG.
INSTALLED OUTSIDE STREET PAVING ONLY)
- ⑨ SERVICE MATERIAL (SHEPARD'S HOOK)
1" 'K' TYPE SOFT COPPER TUBING
- ⑩ (TAPPING SADDLE) C-900 MAIN CONNECTIONS
ONLY. SMITH BLAIR #317 DOUBLE STRAP
WITH 1" 'CC' THREADS. (FOR P.V.C. ONLY)

NOTES:

- 1. ALL WORK TO BE INSPECTED BY M.S.U.D. AFTER WORK IS COMPLETE AND BEFORE BACKFILLING. TAPS WILL BE MADE WITHIN TWO WEEKS, WEATHER PERMITTING.
- 2. ALL WATER METERS SHALL BE PLACED OUTSIDE OF ANY PAVED AREA SUCH AS DRIVEWAYS, ROADS, ETC.
- 3. CONNECTIONS:
ALL COPPER CONNECTIONS AND FITTINGS WILL BE FLARE TYPE. USE TEFLON TAPE OR JOINT COMPOUND ON ALL THREADED CONNECTIONS.
- 4. WASHERS WILL BE FIBER.
- 5. COPPER FROM MAIN TO METER SHALL BE ONE CONTINUOUS PIECE OF K COPPER.
- 6. ALL BOLTS SHALL BE STAINLESS STEEL.

**MADISON SUBURBAN
UTILITY DISTRICT**

1" METER INSTALLATION

JVE / BWSC

Turner Professional Building
5100 Linbar Drive, Suite 106
Nashville, Tennessee 37211

SCALE: N.T.S.

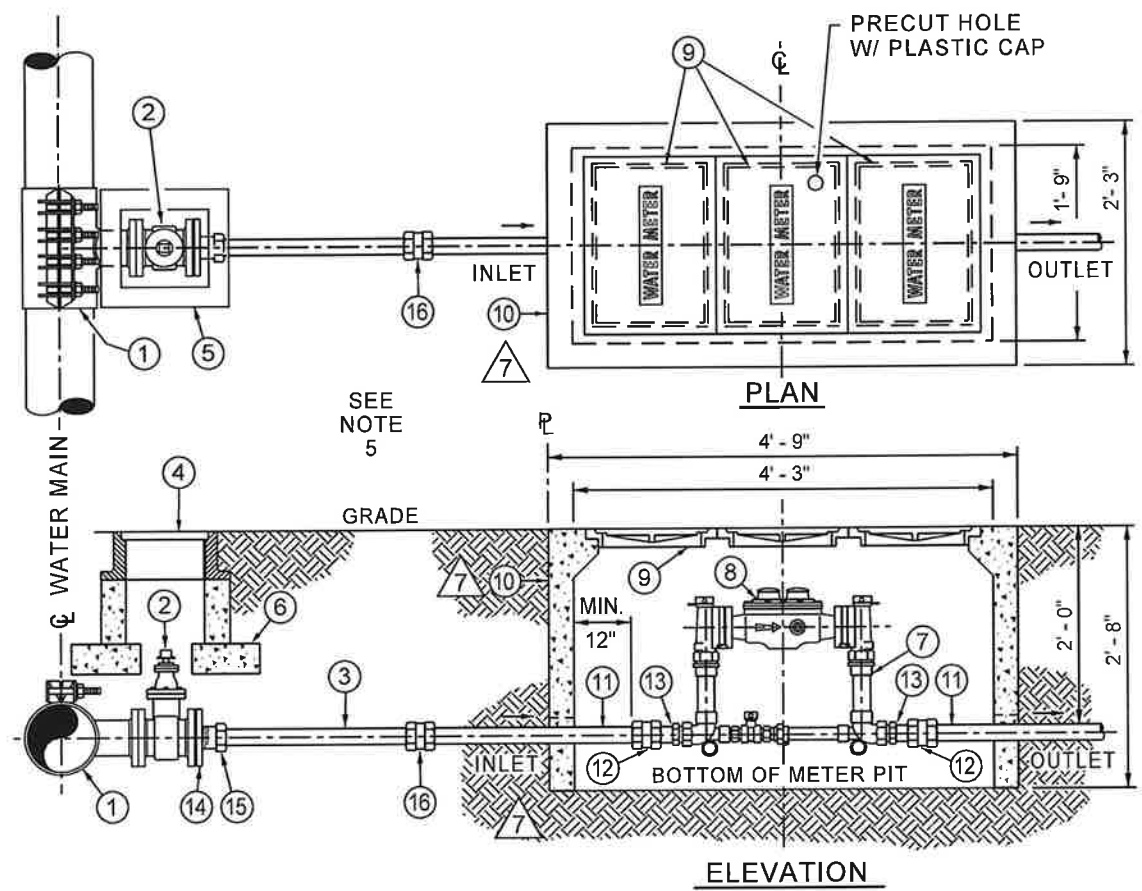
SHEET NO.

DATE: 12/20/02

2

REVISED: 8/2/19 PER M.S.U.D.

M_SHEET_02



NOTES:

1. ALL WORK TO BE INSPECTED BY M.S.U.D.AFTER WORK IS COMPLETE AND BEFORE BACKFILLING.
2. ALL WATER METERS SHALL BE PLACED OUTSIDE OF ANY PAVED AREA SUCH AS DRIVEWAYS, ROADS, ETC. METER BOX NEEDS TO BE 1" ABOVE FINISHED GRADE. PLACE METER IN GREEN SPACE.
3. CONNECTIONS:
ALL COPPER CONNECTIONS AND FITTINGS WILL BE COMPRESSION. USE TEFLON TAPE OR JOINT COMPOUND ON ALL THREADED CONNECTIONS.
4. WASHERS WILL BE FIBER OR RUBBER
5. THERE SHALL BE A MINIMUM DISTANCE OF 3'- 0" BETWEEN THE OUTER EDGE OF THE METER BOX AND ANY OTHER UTILITIES, OR ABOVE-GROUND OR BELOW-GROUND STRUCTURES.

6. CONTACT M.S.U.D. FOR INFORMATION ON ITEM 8 IN THE MATERIAL SCHEDULE ABOVE. (2" NEPTUNE METER)
7. COPPER LINE SHALL BE ONE PIECE FROM VALVE TO FIRST COUPLING AND FROM COUPLING TO COPPER SETTER.
8. CROSS STREET WILL ADD 2" GATE VALVE ON M.S.U.D. SIDE OF BOX.

2" TAP & METER SAME SIDE AS MAIN

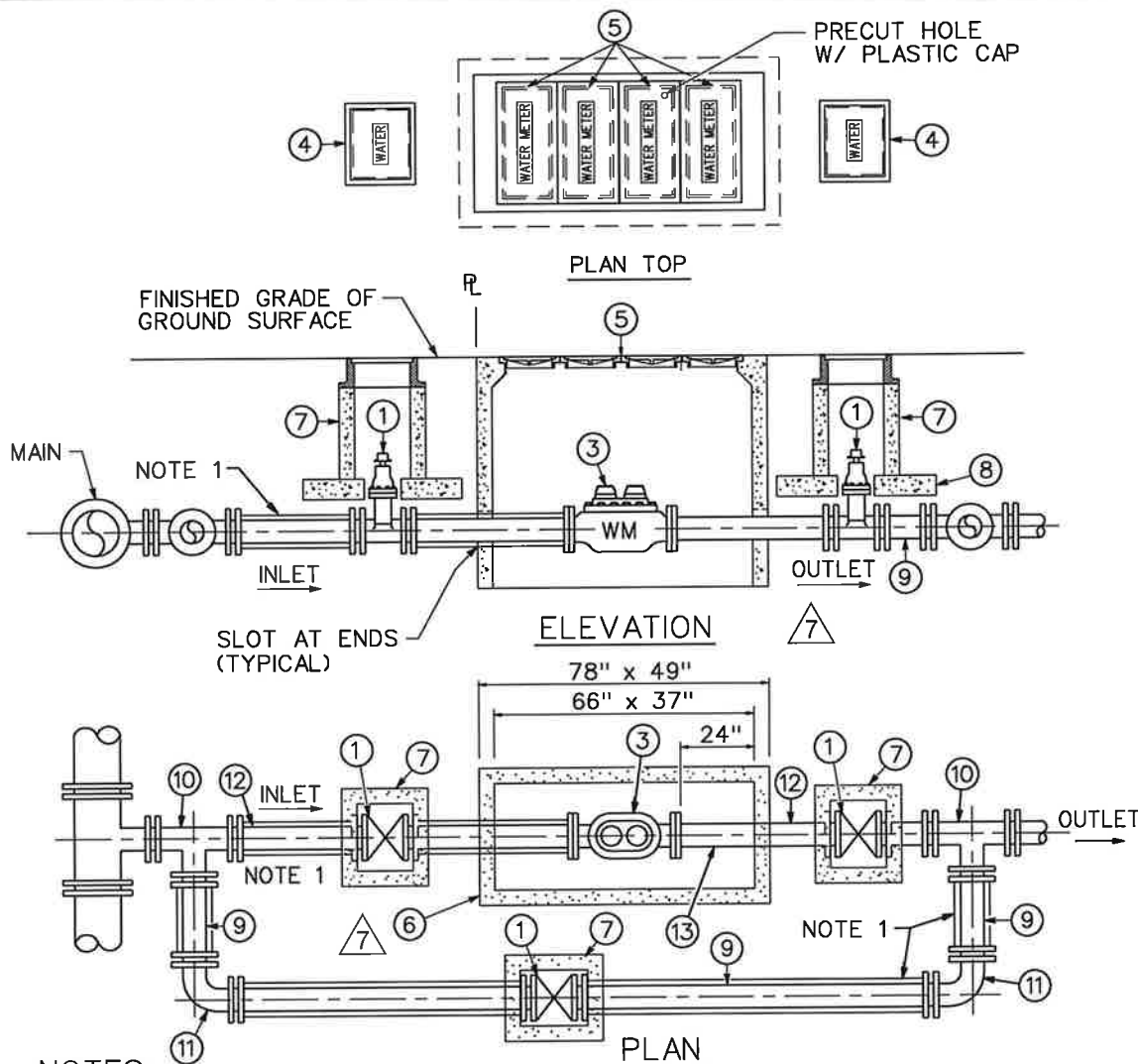
MATERIAL SCHEDULE

- ① TAPPING SLEEVE - PIPE SIZE BY 4" STAINLESS STEEL WRAP AROUND SLEEVE. (fordmeterbox.com)
- ② 4" GATE VALVE FLG. x M.J. (TO BE BOLTED TO TAPPING SLEEVE) OPEN LEFT, RESILIENT WEDGE, 2" SQUARE OPERATING NUT.
- ③ 2" 'K' TYPE COPPPER
- ④ C.I. VALVE BOX FRAME AND COVER (1) JOHN BOUCHARD #8006 NASHVILLE STANDARD OR APPROVED EQUAL
- ⑤ VALVE BOX, PRE-CAST CONCRETE (1)
- ⑥ 12"x 12"x 4" CONCRETE VALVE BOX FOOTING (4)
- ⑦ 2" COPPER SETTER - FORD VV77-12B-11-77 WITH BY-PASS, FEMALE IRON PIPE INLET AND OUTLET SERVICE CONNECTIONS ANGLE METER VALVES INLET AND OUTLET 12" HEIGHT.
- ⑧ 2" NEPTUNE RADIO READ WITH ANTENNA. (CUSTOMER SHALL PICK UP FROM M.S.U.D.). CUSTOMER IS RESPONSIBLE FOR METER DELIVERY
- ⑨ C.I. METER BOX FRAME AND COVER (3) ONE (1) WITH PRECUT HOLE. JOHN BOUCHARD #8110 NASHVILLE STANDARD OR APPROVED EQUAL (CANNOT SAY "METRO").
- ⑩ 2" METER BOX (NO BASE), PRE-CAST CONCRETE JARRET CONCRETE - 2012 TN12, ASHLAND CITY, TN, 37015- PHONE 615.792.9332
- ⑪ 2" X 20" BRASS NIPPLE
- ⑫ 2" BRASS UNION
- ⑬ CONNECTIONS TO COPPERSETTER: USE SMALL BRASS NIPPLE
- ⑭ 4" PLUG M.J. WITH 2" THREAD HOLE
- ⑮ 2" MALE THREADED BY 2" COMPRESSION FITTING
- ⑯ 2" FEMALE X FEMALE THREADED COUPLING
- ⑰ ALL BACKFILL SHALL BE #57 STONE.

MADISON SUBURBAN UTILITY DISTRICT	
2" METER INSTALLATION	
JVE / BWSC	
3414 Old Franklin Road Antioch, Tennessee 37013	
SCALE: N.T.S.	SHEET NO. 3
DATE: 12/20/02	

REVISED: 5/13/24 PER M.S.U.D. 7

M_SHEET_03



NOTES:

1. JOINT RESTRAINT:
ALL FITTINGS WILL BE RODDED OR MEGALUG FROM MAIN TO METER AND ALONG THE COMPLETE BY-PASS LINE FROM TEE. TO TEE. RODS WILL BE 3/4" DIAMETER FULLY THREADED STAINLESS STEEL RODS W/ STAINLESS STEEL NUTS.
2. FITTINGS:
ALL FITTINGS INSIDE VAULT WILL BE FLANGED FITTINGS. ALL FITTINGS OUTSIDE VAULT WILL BE MECHANICAL JOINT FITTINGS.
3. ALL WORK TO BE INSPECTED BY M.S.U.D. AFTER WORK IS COMPLETE AND BEFORE BACKFILLING.
4. CONTRACTOR IS REQUIRED TO INSTALL A PRESSURE REDUCING VALVE (PRV) ON THE WATER USER'S SIDE OF THE METER OUTSIDE THE METER BOX FOR INSTALLATIONS WHICH HAVE A STATIC PRESSURE (NO WATER FLOW) OF 100 POUNDS PER SQUARE INCH (PSI) OR GREATER. THE WATER USER SHALL BE RESPONSIBLE FOR MAINTAINING THE PRV IN A GOOD WORKING CONDITION. M.S.U.D. IS NOT RESPONSIBLE FOR REPLACING ANY PORTION OF THE PRV.
5. ALL WATER METERS SHALL BE PLACED OUTSIDE OF ANY PAVED AREA SUCH AS DRIVEWAYS, ROADS, ETC.

MATERIAL SCHEDULE

- ① 4" GATE VALVE (4)
OPEN LEFT, RESILIENT WEDGE
2" SQUARE OPERATING NUT
- ② ITEM WAS DELETED BY M.S.U.D.
- ③ 4" METER NEPTUNE RADIO READ WITH ANTENNA.
INDICATING IN CUBIC FEET - DUAL REGISTERS.
- ④ C.I. VALVE BOX FRAME AND COVER (3)
JOHN BOUCHARD *8006 NASHVILLE
STANDARD OR APPROVED EQUAL
- ⑤ C.I. METER BOX FRAME AND COVER (4)
ONE (1) COVER WITH PRECUT HOLE.
JOHN BOUCHARD *8110 NASHVILLE
STANDARD OR APPROVED EQUAL
- △ ⑥ 4" METER BOX (NO BASE), PRE-CAST CONCRETE
- ⑦ VALVE BOX, PRE-CAST CONCRETE (3)
- ⑧ 12"x12"x4" CONCRETE VALVE BOX FOOTING (12)
- ⑨ PIPE MATERIAL
4" CLASS 52 DUCTILE IRON PIPE
- ⑩ 4" x 4" x 4" M.J. TEE (2)
- ⑪ 4" - 90° M.J. BEND (2)
- ⑫ 4" - F.E.P.E. DUCTILE IRON PIPE (2)
- ⑬ 24" OF UNINTERRUPTED PIPE FOR TESTING
- ⑭ ITEM WAS DELETED BY M.S.U.D.

MADISON SUBURBAN
UTILITY DISTRICT

4" METER INSTALLATION

JVE / BWSC

3414 Old Franklin Road
Antioch, Tennessee 37013

SCALE: N.T.S.

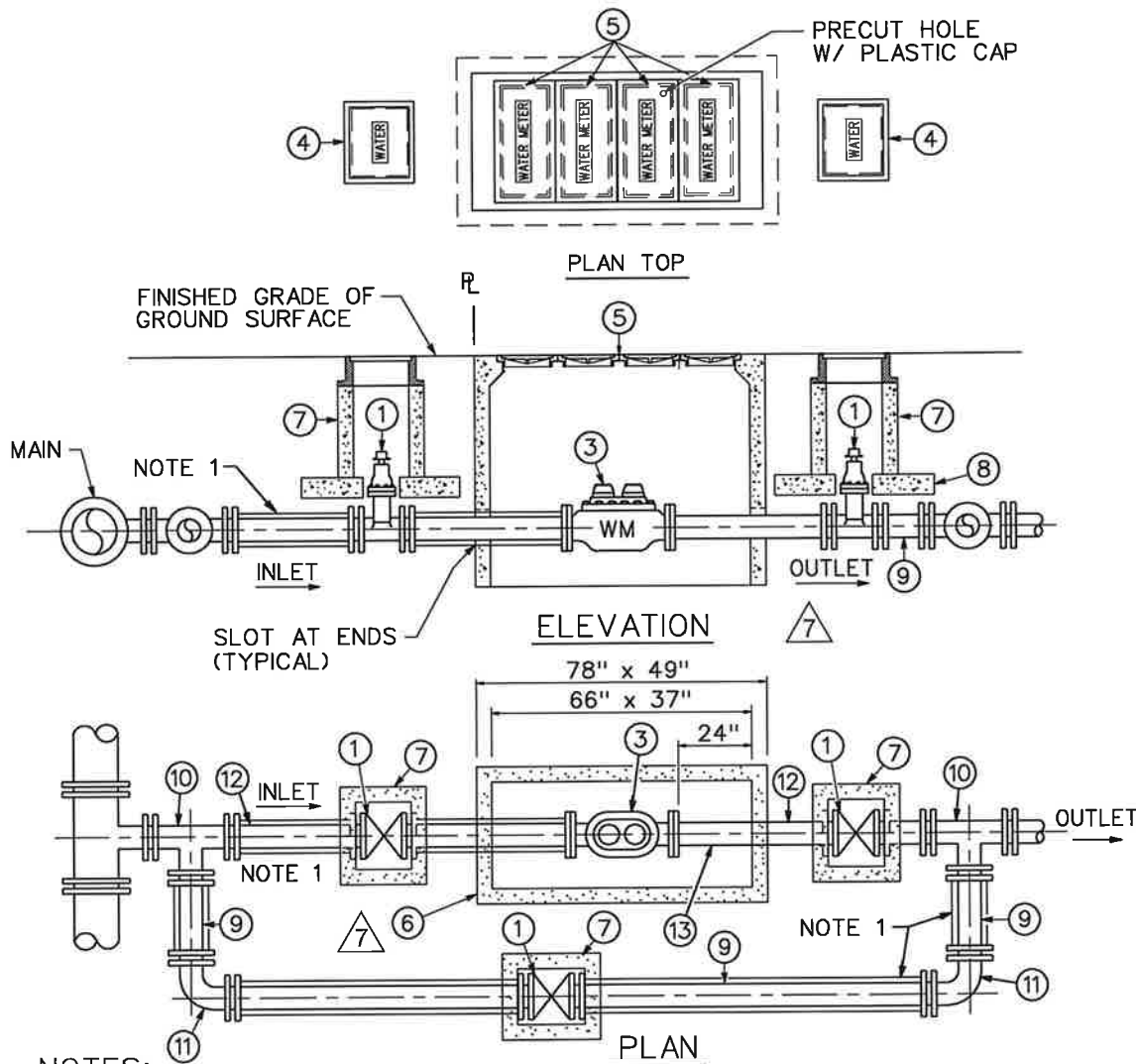
SHEET NO.

DATE: 12/20/02

5

REVISED: 5/13/24 PER M.S.U.D. △

M-SHEET_05



NOTES:

1. JOINT RESTRAINT:
ALL FITTINGS WILL BE RODDED OR MEGALUG FROM MAIN TO METER AND ALONG THE COMPLETE BY-PASS LINE FROM TEE TO TEE. RODS WILL BE 3/4" DIAMETER FULLY THREADED STAINLESS STEEL RODS W/ STAINLESS STEEL NUTS.
2. FITTINGS:
ALL FITTINGS INSIDE VAULT WILL BE FLANGED FITTINGS. ALL FITTINGS OUTSIDE VAULT WILL BE MECHANICAL JOINT FITTINGS.
3. ALL WORK TO BE INSPECTED BY M.S.U.D. AFTER WORK IS COMPLETE AND BEFORE BACKFILLING.
4. CONTRACTOR IS REQUIRED TO INSTALL A PRESSURE REDUCING VALVE (PRV) ON THE WATER USER'S SIDE OF THE METER OUTSIDE THE METER BOX FOR INSTALLATIONS WHICH HAVE A STATIC PRESSURE (NO WATER FLOW) OF 100 POUNDS PER SQUARE INCH (PSI) OR GREATER. THE WATER USER SHALL BE RESPONSIBLE FOR MAINTAINING THE PRV IN A GOOD WORKING CONDITION. M.S.U.D. IS NOT RESPONSIBLE FOR REPLACING ANY PORTION OF THE PRV.
5. ALL WATER METERS SHALL BE PLACED OUTSIDE OF ANY PAVED AREA SUCH AS DRIVEWAYS, ROADS, ETC.

MATERIAL SCHEDULE

- ① 6" GATE VALVE (4)
OPEN LEFT, RESILIENT WEDGE
2" SQUARE OPERATING NUT
- ② ITEM WAS DELETED BY M.S.U.D.
- ③ 6" METER NEPTUNE RADIO READ WITH ANTENNA.
INDICATING IN CUBIC FEET - DUAL REGISTERS.
- ④ C.I. VALVE BOX FRAME AND COVER (3)
JOHN BOUCHARD *8006 NASHVILLE
STANDARD OR APPROVED EQUAL
- ⑤ C.I. METER BOX FRAME AND COVER (4)
ONE (1) COVER WITH PRECUT HOLE.
JOHN BOUCHARD *8110 NASHVILLE
STANDARD OR APPROVED EQUAL
- △ ⑥ 4" METER BOX (NO BASE), PRE-CAST CONCRETE
- ⑦ VALVE BOX, PRE-CAST CONCRETE (3)
- ⑧ 12"x12"x4" CONCRETE VALVE BOX FOOTING (12)
- ⑨ PIPE MATERIAL
6" CLASS 52 DUCTILE IRON PIPE
- ⑩ 6" x 6" x 6" M.J. TEE (2)
- ⑪ 6" - 90° M.J. BEND (2)
- ⑫ 6" - F.E.P.E. DUCTILE IRON PIPE (2)
- ⑬ 24" OF UNINTERRUPTED PIPE FOR TESTING
- ⑭ ITEM WAS DELETED BY M.S.U.D.

MADISON SUBURBAN
UTILITY DISTRICT

6" METER INSTALLATION

JVE / BWSC

3414 Old Franklin Road
Antioch, Tennessee 37013

SCALE: N.T.S.

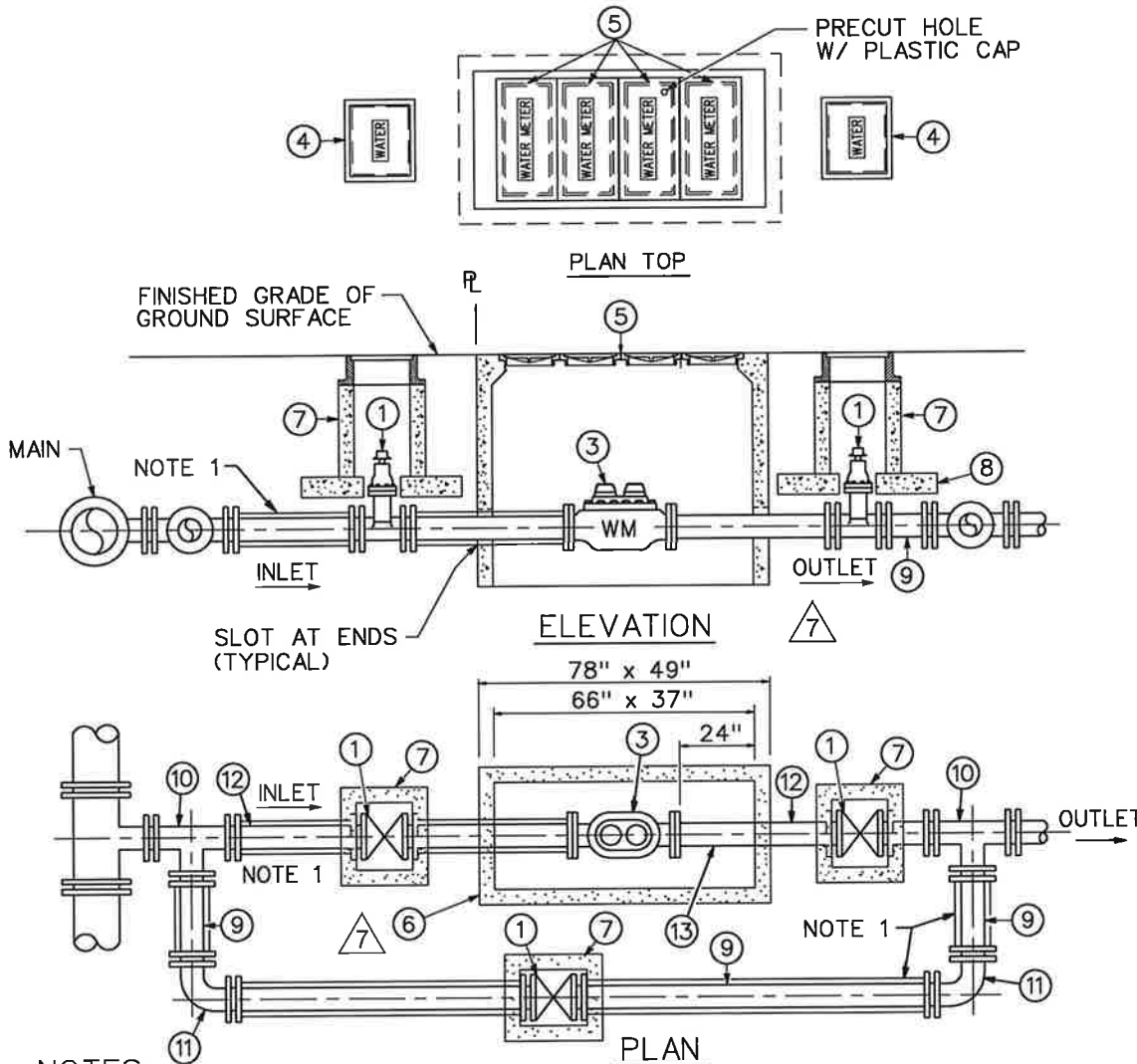
SHEET NO.

DATE: 12/20/02

6

REVISED: 5/13/24 PER M.S.U.D.

M-SHEET-06



NOTES:

1. JOINT RESTRAINT:
ALL FITTINGS WILL BE RODDED OR MEGALUG FROM MAIN TO METER AND ALONG THE COMPLETE BY-PASS LINE FROM TEE TO TEE. RODS WILL BE 3/4" DIAMETER FULLY THREADED STAINLESS STEEL RODS W/ STAINLESS STEEL NUTS.
2. FITTINGS:
ALL FITTINGS INSIDE VAULT WILL BE FLANGED FITTINGS. ALL FITTINGS OUTSIDE VAULT WILL BE MECHANICAL JOINT FITTINGS.
3. ALL WORK TO BE INSPECTED BY M.S.U.D. AFTER WORK IS COMPLETE AND BEFORE BACKFILLING.
4. CONTRACTOR IS REQUIRED TO INSTALL A PRESSURE REDUCING VALVE (PRV) ON THE WATER USER'S SIDE OF THE METER OUTSIDE THE METER BOX FOR INSTALLATIONS WHICH HAVE A STATIC PRESSURE (NO WATER FLOW) OF 100 POUNDS PER SQUARE INCH (PSI) OR GREATER. THE WATER USER SHALL BE RESPONSIBLE FOR MAINTAINING THE PRV IN A GOOD WORKING CONDITION. M.S.U.D. IS NOT RESPONSIBLE FOR REPLACING ANY PORTION OF THE PRV.
5. ALL WATER METERS SHALL BE PLACED OUTSIDE OF ANY PAVED AREA SUCH AS DRIVEWAYS, ROADS, ETC.

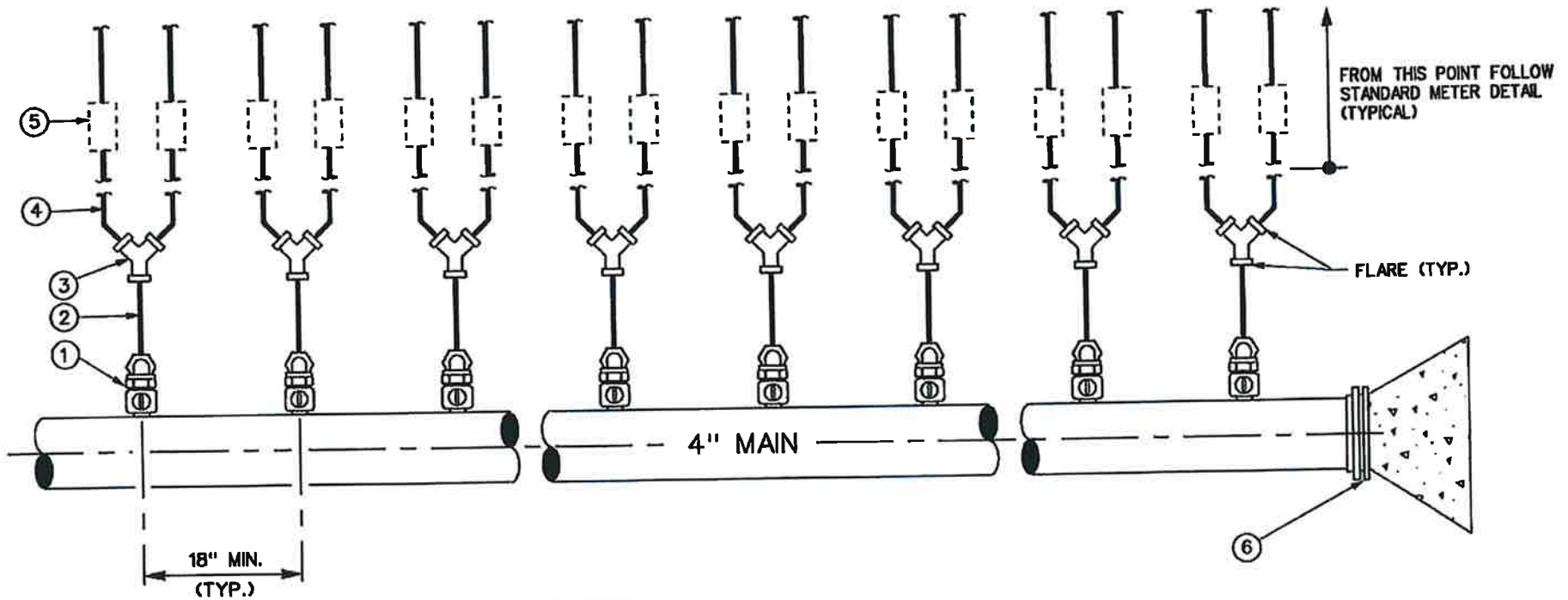
MATERIAL SCHEDULE

- ① 8" GATE VALVE (4)
OPEN LEFT, RESILIENT WEDGE
2" SQUARE OPERATING NUT
- ② ITEM WAS DELETED BY M.S.U.D.
- ③ 8" METER NEPTUNE RADIO READ WITH ANTENNA.
INDICATING IN CUBIC FEET - DUAL REGISTERS.
- ④ C.I. VALVE BOX FRAME AND COVER (3)
JOHN BOUCHARD *8006 NASHVILLE
STANDARD OR APPROVED EQUAL
- ⑤ C.I. METER BOX FRAME AND COVER (4)
ONE (1) COVER WITH PRECUT HOLE.
JOHN BOUCHARD *8110 NASHVILLE
STANDARD OR APPROVED EQUAL
- △ ⑥ 4" METER BOX (NO BASE), PRE-CAST CONCRETE
- ⑦ VALVE BOX, PRE-CAST CONCRETE (3)
- ⑧ 12"x12"x4" CONCRETE VALVE BOX FOOTING (12)
- ⑨ PIPE MATERIAL
8" CLASS 52 DUCTILE IRON PIPE
- ⑩ 8" x 8" x 8" M.J. TEE (2)
- ⑪ 8" - 90° M.J. BEND (2)
- ⑫ 8" - F.E.P.E. DUCTILE IRON PIPE (2)
- ⑬ 24" OF UNINTERRUPTED PIPE FOR TESTING
- ⑭ ITEM WAS DELETED BY M.S.U.D.

MADISON SUBURBAN UTILITY DISTRICT	
8" METER INSTALLATION	
JVE / BWSC	
3414 Old Franklin Road Antioch, Tennessee 37013	
SCALE: N.T.S.	SHEET NO. 7
DATE: 12/20/02	

REVISED: 5/13/24 PER M.S.U.D. △ 7

M-SHEET-07



MATERIAL SCHEDULE

- ① MULTI- 1" CORPORATION STOPS. McDONALD 4701 WITH 4776S 90° BEND MUELLER H-15020
- ② SERVICE MATERIAL 1" 'K' TYPE SOFT COPPER TUBING
- ③ 8 - 1" x 3/4" WYES (FLARE)
- ④ 3/4" 'K' TYPE SOFT COPPER TUBING
- ⑤ MULTI-3/4" METERS
- ⑥ 4" CAP W/KICKER

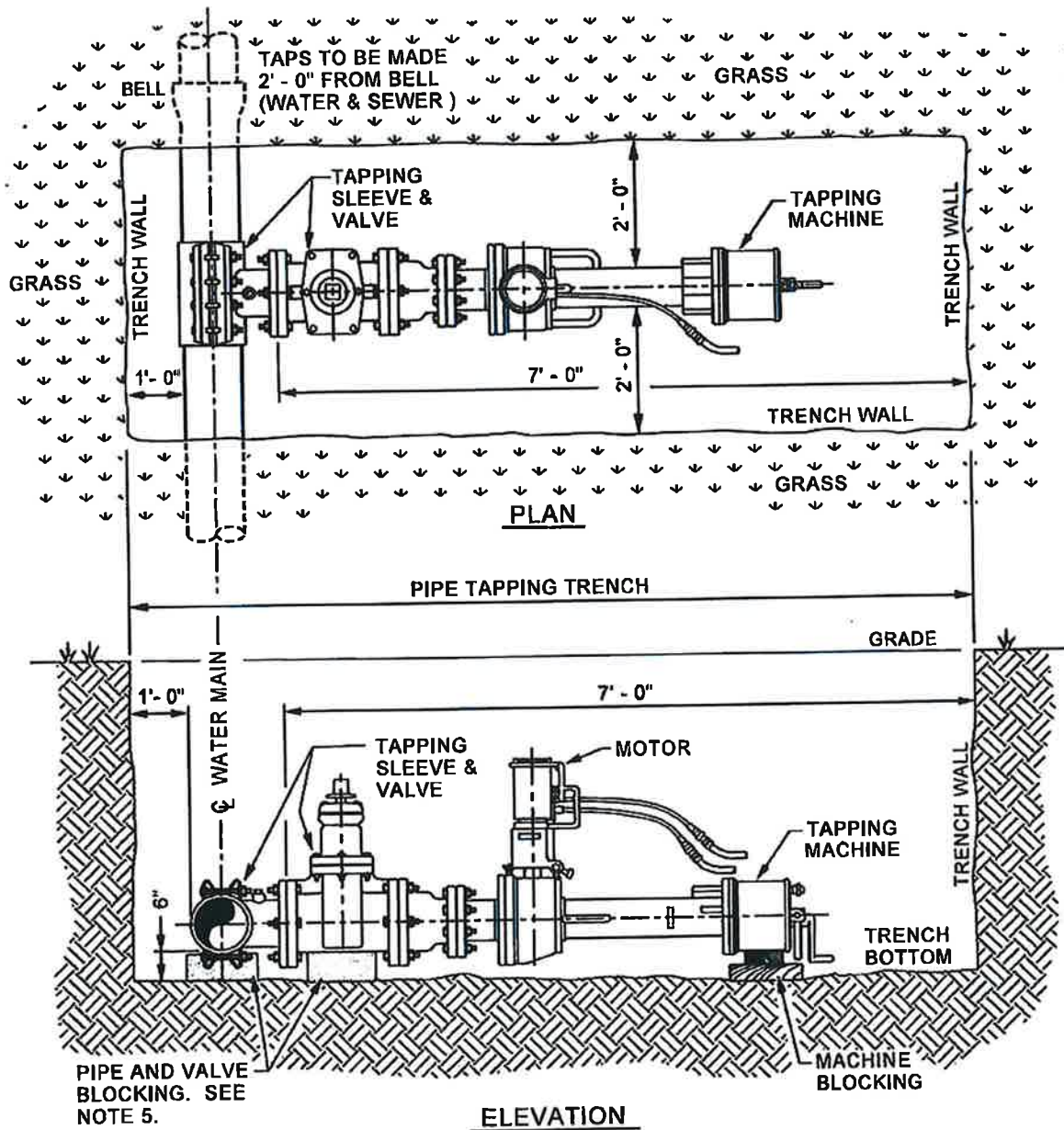
NOTES:

- 1. JOINT RESTRAINT: ALL FITTINGS WILL BE RODDED OR MEGALUG FROM MAIN TO METER. RODS WILL BE 3/4" DIAMETER FULLY THREADED STAINLESS STEEL RODS.
- 2. FITTINGS: ALL FITTINGS INSIDE VAULT WILL BE FLANGED FITTINGS. ALL FITTINGS OUTSIDE VAULT WILL BE MECHANICAL JOINT FITTINGS.
- 3. ALL WORK TO BE INSPECTED BY M.S.U.D. AFTER WORK IS COMPLETE AND BEFORE BACKFILLING.
- 4. CONTRACTOR IS REQUIRED TO INSTALL A PRESSURE REDUCING VALVE (PRV) ON THE WATER USER'S SIDE OF THE METER OUTSIDE THE METER BOX FOR INSTALLATIONS WHICH HAVE A STATIC PRESSURE (NO WATER FLOW) OF 100 POUNDS PER SQUARE INCH (PSI) OR GREATER. THE WATER USER SHALL BE RESPONSIBLE FOR MAINTAINING THE PRV IN A GOOD WORKING CONDITION. M.S.U.D. IS NOT RESPONSIBLE FOR REPLACING ANY PORTION OF THE PRV.
- 5. ALL WATER METERS SHALL BE PLACED OUTSIDE OF ANY PAVED AREA SUCH AS DRIVEWAYS, ROADS, ETC.

MADISON SUBURBAN UTILITY DISTRICT	
MANIFOLD SYSTEM FOR 3/4" WATER SERVICE	
JVE/BWSC	
Turner Professional Building 5100 Linbar Drive, Suite 106 Nashville, Tennessee 37211	
SCALE: N.T.S.	SHEET NO. 10
DATE: 08/05/02	

REVISED: 02/03/03

MF_SHEET_10



NOTES:

1. ALL TRENCHES 5' - 0" DEEP OR MORE SHALL HAVE SHORING OR TRENCH BOX TO FOLLOW ALL O.S.H.A. AND T.O.S.H.A. REGULATIONS.
2. THE CONTRACTOR SHALL PROVIDE LADDER FOR ACCESS TO THE EXCAVATED PIPE AND GRAVEL IF THE TRENCH IS MUDDY WHILE THE M.S.U.D. CREW IS ON SITE.
3. ALL TRENCHES FOR TAPPING SHALL BE 4' - 0" WIDE OR GREATER. 4' - 0" OF PIPE IS TO BE EXPOSED WITH 1' - 0" CLEARANCE BEHIND THE PIPE AND 6" UNDER THE PIPE.
4. ALL TAPPING SLEEVES SHALL BE FORD - STAINLESS STEEL "FAST" (DIAMETER) - (TAP SIZE) M.J. OR EQUIVALENT APPROVED BY M.S.U.D.
5. ALL BLOCKS UNDER THE TAPPING VALVE SHALL BE STANDARD CONCRETE FOOTING BLOCKS.
6. ALL WATER SERVICE LINES AND VALVE BOXES SHALL BE IN GRASSY AREA (NOT IN DRIVEWAY OR SIDEWALK).



TENNESSEE ONE CALL

CALL BEFORE YOU DIG!
 (615) 387-1110 1 (800) 351-1111
www.tnonocall.com



MADISON SUBURBAN UTILITY DISTRICT

TAPPING MACHINE TRENCH DIMENSIONS



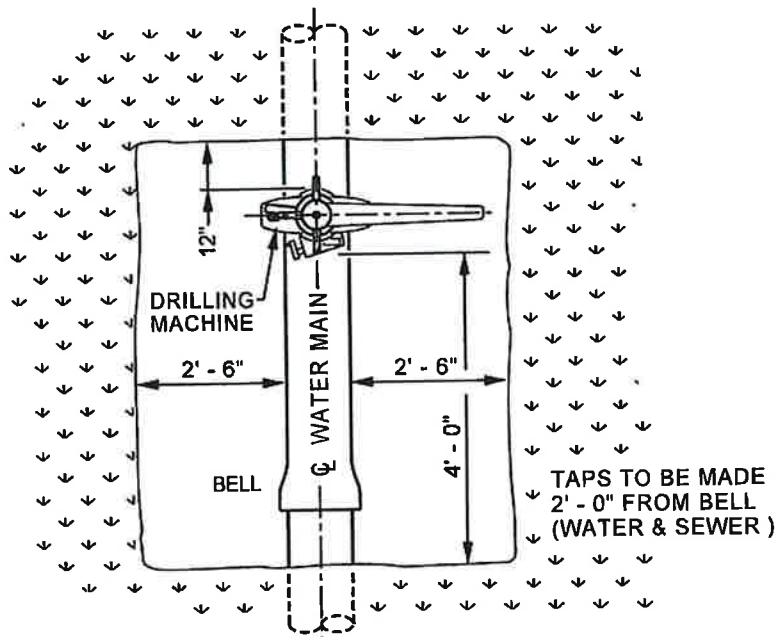
Turner Professional Building
 5100 Linbar Drive, Suite 106
 Nashville, Tennessee 37211

SCALE: N.T.S.

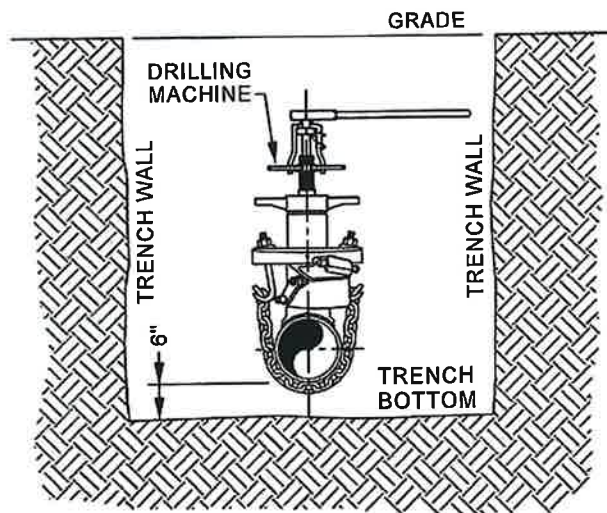
SHEET NO.

DATE: 4/14/22

1



PLAN



ELEVATION

NOTES:

1. ALL TRENCHES 5' - 0" DEEP OR GREATER SHALL HAVE SHORING OR TRENCH BOXES SET TO FOLLOW ALL O.S.H.A. AND T.O.S.H.A. REGULATIONS.
2. ALL TRENCHES FOR TAPPING SHALL BE 4' - 0" WIDE OR GREATER.
3. THE PLUMBER / CONTRACTOR SHALL PROVIDE APPROPRIATE SIZED SUMP PUMPS FOR EXCAVATED TRENCH DURING M.S.U.D. TAPPING PROCESS IF WATER IS PRESENT IN THE TRENCH.
4. THE PLUMBER / CONTRACTOR SHALL PROVIDE LADDER FOR ACCESS TO THE EXCAVATED PIPE AND GRAVEL IF THE TRENCH IS MUDDY WHILE THE M.S.U.D. CREW IS ON SITE.
5. ALL TAPS REQUIRE MINIMUM 6 INCH CLEARANCE UNDER MAIN FOR 4 FEET OF THE EXPOSED LINE.
6. ALL PUBLICLY OWNED WATER SERVICE LINES AND METER BOXES SHALL BE PLACED IN GRASSY AREA (NOT UNDER DRIVEWAYS).



TENNESSEE ONE CALL

CALL BEFORE YOU DIG!
 (615) 367-1110 1 (800) 351-1111
 www.tnonecall.com



www.tenn811.com
 Know what's below.
 Call before you dig.

MADISON SUBURBAN UTILITY DISTRICT	
B101 DRILLING MACHINE TRENCH DIMENSIONS	
JVE / BWSC	
Turner Professional Building 5100 Linbar Drive, Suite 106 Nashville, Tennessee 37211	
SCALE: N.T.S.	SHEET NO. 2
DATE: 5/3/22	